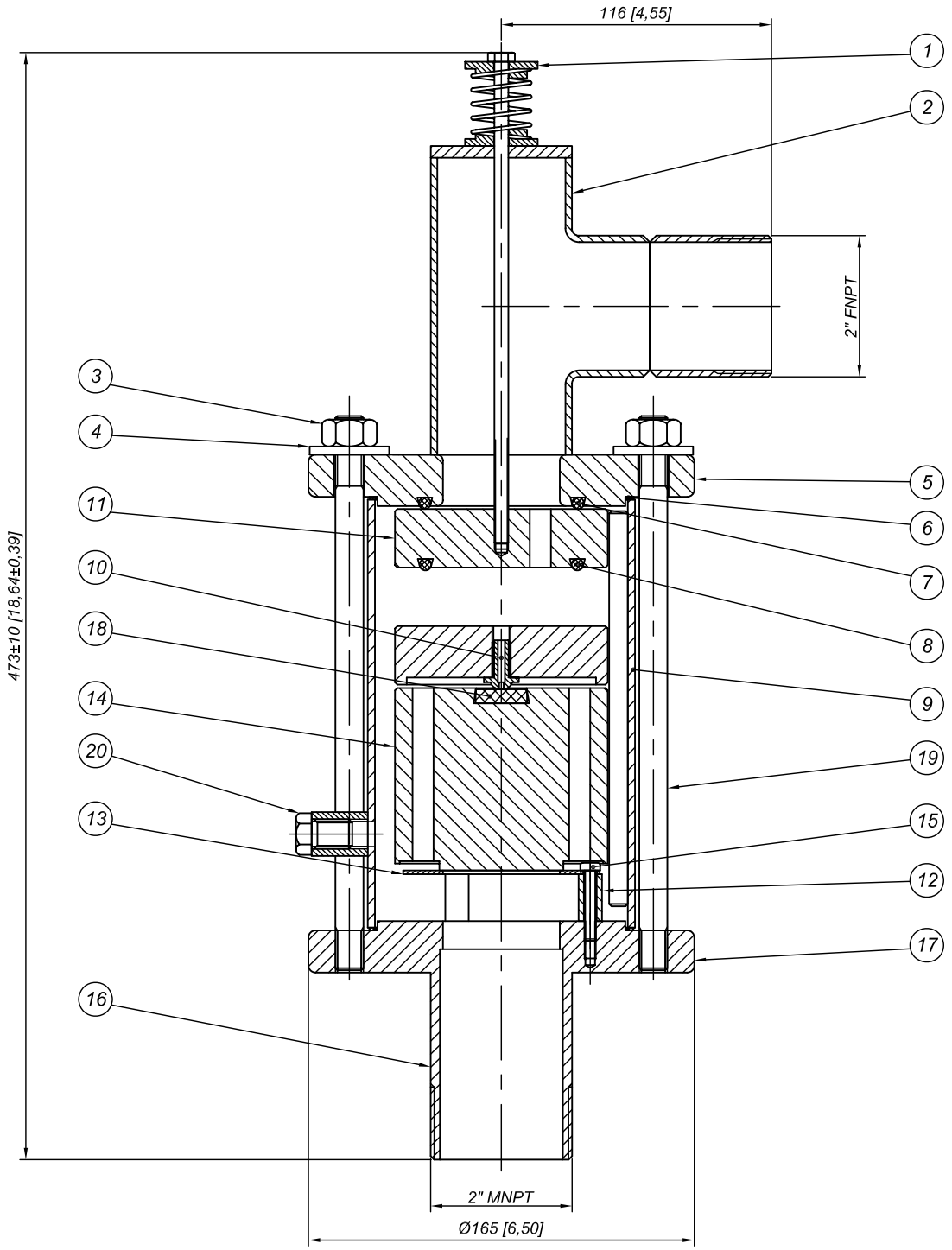


© Copyright D.F.C. (Pty) Ltd.

**D.F.C. WATER**  
 32 Lincoln Road, Benoni South  
 P.O. BOX 5084, Benoni South,  
 1502  
 Tel: (011) 748 0200  
 Fax: (011) 421 2749

TITLE: DN50 (2") - PN25 (362PSI) VENT-O-MAT			
SERIES RBX DBL ACTING AIR VALVE			
DRAWN: D.D.	DATE: 15/06/2010	CHECKED: L.H.	DATE: 15/06/2010
SCALE: 1:2	A3		
PROJECTION:		<input type="checkbox"/> 1 ST. ANGLE <input checked="" type="checkbox"/> 3 RD. ANGLE	
REV.	DATE	SIGN	DESCRIPTION



NOTE:  
 1. DIMENSIONS IN BRACKETS ARE IN INCHES.  
 2. OPERATING PRESSURE MIN 0.5 BAR (7.25 PSI) AND MAX 16 BAR (232 PSI)

DN mm (in)	MODEL No.	WEIGHT ±kg (lbs)		
50(2")	050 RBXb 1621	11 (24)		
ITEM	QTY	DESCRIPTION	MATERIAL	
1	1	50 RBX BIAS MECH	S/STEEL 316	
2	1	2" TEE PIECE	S/STEEL 316	
3	4	M12 HEX NUT	S/STEEL 316	
4	4	M12 WASHER	S/STEEL 316	
5	1	50 RBX UPPER FLANGE	S/STEEL 316	
6	2	50 RBX BARREL SEAL	KLINGERSIL C4430	
7	2	60 x 5 O-RING SEAL	E.P.D.M.	
8	1	50 RBX UPPER FLOAT	WHITE HDPE	
9	1	50 RBX BARREL - 25 BAR	S/STEEL 316	
10	1	025 RBX NOZZLE (2mm)	S/STEEL 316	
11	1	50 RBX BIAS ANTI SHOCK FLOAT	WHITE HDPE	
12	3	50 RBX BAFFLE SPACER	ABS POLYLAC PA 737	
13	1	50 RBX BAFFLE PLATE	S/STEEL 316	
14	1	50 RBX LOWER FLOAT - 25 BAR	WHITE HDPE	
15	3	BAFFLE PLATE SCREWS	S/STEEL 316	
16	1	50 RBX NIPPLE	S/STEEL 316	
17	1	50 RBX LOWER FLANGE	S/STEEL 316	
18	1	25 RBX NOZZLE SEAT	E.P.D.M.	
19	4	50 RBX TIE RODS - 25 BAR	S/STEEL 316	
20	2	½" NPT SOCKET WITH PLUG	S/STEEL 316	

TYPE: 050 RBXb 2521  
 050RBXb25BCS4FN7Y  
 SHEET: 1 OF 1 DRG No: GA REF. No: