

VENT-O-MAT AIR VALVES ARE DESIGNED TO FULFILL FOUR FUNCTIONS NAMELY:
 LARGE VOLUME AIR DISCHARGE - PIPELINE FILLING
 PRESSURIZED AIR DISCHARGE - PIPELINE OPERATING
 AIR INTAKE (VACUUM BREAKING) PIPELINE DRAINING
 SURGE PROTECTION - RAPID FILLING OR COLUMN SEPARATION

© Copyright D.F.C. (Pty) Ltd.

D.F.C. WATER

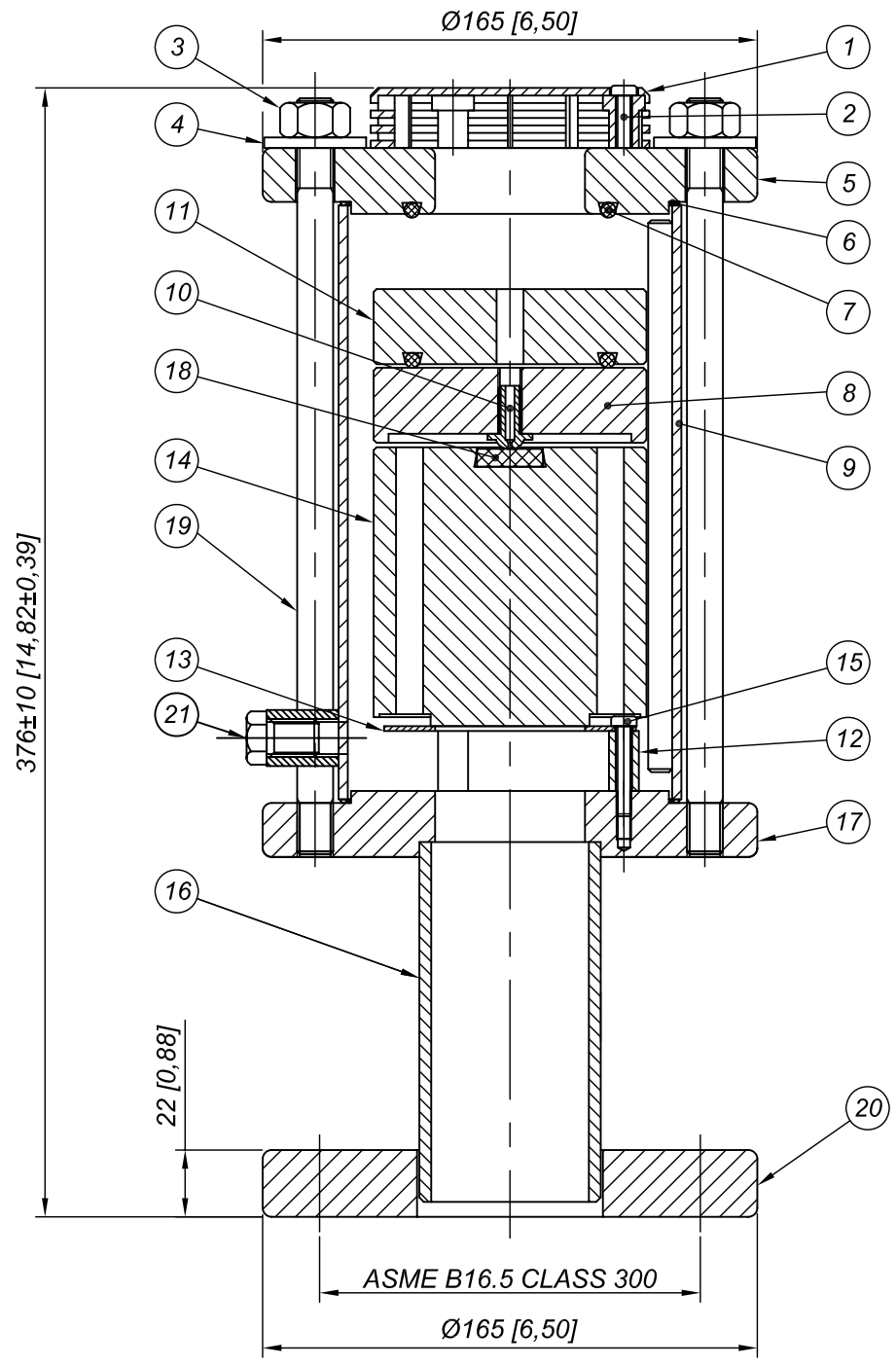
32 Lincoln Road, Benoni South
 P.O. BOX 5064, Benoni South,
 1502
 Tel: (011) 748 0200
 Fax: (011) 421 2749

TITLE:
DN50 (2") - PN40 VENT-O-MAT
RBX SERIES DBL ACTING AIR VALVE

DRAWN: D.D. DATE: 30/09/2010 CHECKED: L.H. DATE: 30/09/2010

SCALE: 1:2.5 A3
 PROJECTION: 1 ST. ANGLE 3 RD. ANGLE

REV.	DATE	SIGN	DESCRIPTION



NOTE:

1. DIMENSIONS IN BRACKETS ARE IN INCHES
2. OPERATING PRESSURE MIN. 7PSI TO MAX 580 PSI

DN mm (in)	MODEL No.	WEIGHT ±kg (lbs)	
50(2")	050 RBX 4031	13 (29)	
ITEM	QTY	DESCRIPTION	MATERIAL
1	1	50 RBX TOP COVER	ABS POLYLAC PA737
2	3	TOP COVER SCREWS	S/STEEL 316
3	4	M12 HEX NUT	S/STEEL 304
4	4	M12 WASHER	S/STEEL 304
5	1	50 RBX UPPER FLANGE	M/STEEL F.B.E.
6	2	50 RBX BARREL SEAL	TEADIT NA 1002
7	2	60 x 5 O-RING SEAL	E.P.D.M.
8	1	50 RBX UPPER FLOAT	WHITE HDPE
9	1	50 RBX BARREL	S/STEEL 304
10	1	025 RBX NOZZLE	S/STEEL 316
11	1	50 RBX ANTI SHOCK FLOAT	WHITE HDPE
12	3	50 RBX BAFFLE SPACER	ABS POLYLAC PA 737
13	1	50 RBX BAFFLE PLATE	S/STEEL 316
14	1	50 RBX LOWER FLOAT	WHITE HDPE
15	3	BAFFLE PLATE SCREWS	S/STEEL 316
16	1	50 RBX SPOOLE PIECE	M/STEEL F.B.E.
17	1	50 RBX LOWER FLANGE	M/STEEL F.B.E.
18	1	25 RBX NOZZLE SEAT	E.P.D.M.
19	4	50 RBX TIE RODS	S/STEEL 304
20	1	MATING FLANGE	M/STEEL F.B.E.
21	1	½" NPT SOCKET WITH PLUG	S/STEEL 304

TYPE: 050RBX4031
 050RBX40JS4TTIY
 DRG No./ GA REF No.
 SHEET: 1 OF 1