

© Copyright D.F.C. (Pty) Ltd.

D.F.C. WATER

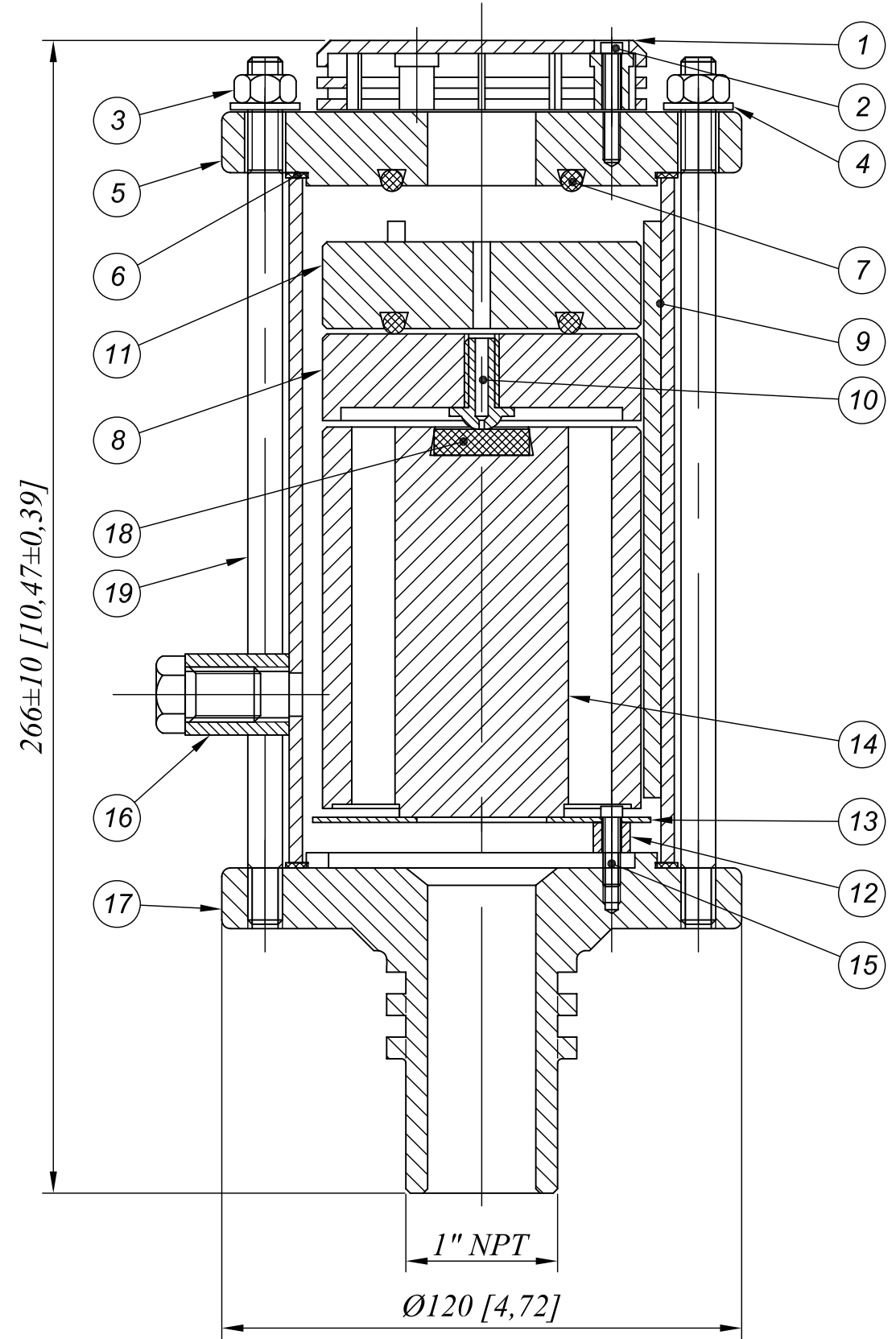
32 Lincoln Road, Benoni South
P.O. BOX 5064, Benoni South,
1502
Tel: (011) 748 0200
Fax: (011) 421 2749

TITLE:
DN25 (2") - PN25 VENT-O-MAT
RBX SERIES DBL ACTING AIR VALVE

DRAWN: *D.D.* DATE: *12/02/2010* CHECKED: *L.H.* DATE: *12/02/2010*

SCALE: *1:2* A4
PROJECTION: 1 ST. ANGLE 3 RD. ANGLE

REV.	DATE	SIGN	DESCRIPTION



NOTE:
1. DIMENSIONS IN BRACKETS ARE IN INCHES

DN mm (in)	MODEL No.	WEIGHT ±kg (lbs)		
25 (1")	025 RBX 2521	5 (11)		
ITEM	QTY	DESCRIPTION	MATERIAL	
1	1	25 RBX TOP COVER	ABS POLYLAC PA 737	
2	3	TOP COVER SCREWS	S/STEEL 316	
3	4	M8 HEX NUT	S/STEEL 304	
4	4	M8 WASHER	S/STEEL 304	
5	1	25 RBX UPPER FLANGE	CAST S/STEEL 304	
6	2	25 RBX BARREL SEAL	KLINGERSOL C4430	
7	2	35 x 5 O-RING SEAL	E.P.D.M.	
8	1	25 RBX UPPER FLOAT	WHITE HDPE	
9	1	25 RBX BARREL	S/STEEL 304	
10	1	025 RBX NOZZLE	S/STEEL 316	
11	1	25 RBX ANTI SHOCK ORIFICE FLOAT	WHITE HDPE	
12	3	25 RBX BAFFLE SPACER	ABS POLYLAC PA 737	
13	1	25 RBX BAFFLE PLATE	S/STEEL 316	
14	1	25 RBX LOWER FLOAT	WHITE HDPE	
15	3	BAFFLE PLATE SCREWS	S/STEEL 316	
16	1	½" BSP SOCKET WITH PLUG	S/STEEL 316	
17	1	25 RBX LOWER FLANGE	CAST S/STEEL 304	
18	1	25 RBX NOZZLE SEAT	E.P.D.M.	
19	4	25 RBX TIE RODS	S/STEEL 304	

TYPE: 025 RBX 2521
025RBX25BCS4FC1Y
DRG No./ GA REF No.
SHEET: 1 OF 1